





252968

27



[Faint, mostly illegible text, likely bleed-through from the reverse side of the page.]

[Faint, mostly illegible text, likely bleed-through from the reverse side of the page.]

[Faint, mostly illegible text, likely bleed-through from the reverse side of the page.]

252968

27



[Faint, mostly illegible text, likely bleed-through from the reverse side of the page]

252968



[Faint, mostly illegible typed text, possibly a letter or report, covering the majority of the page.]

**NOTA**

252968



100

100

100

100

100

100

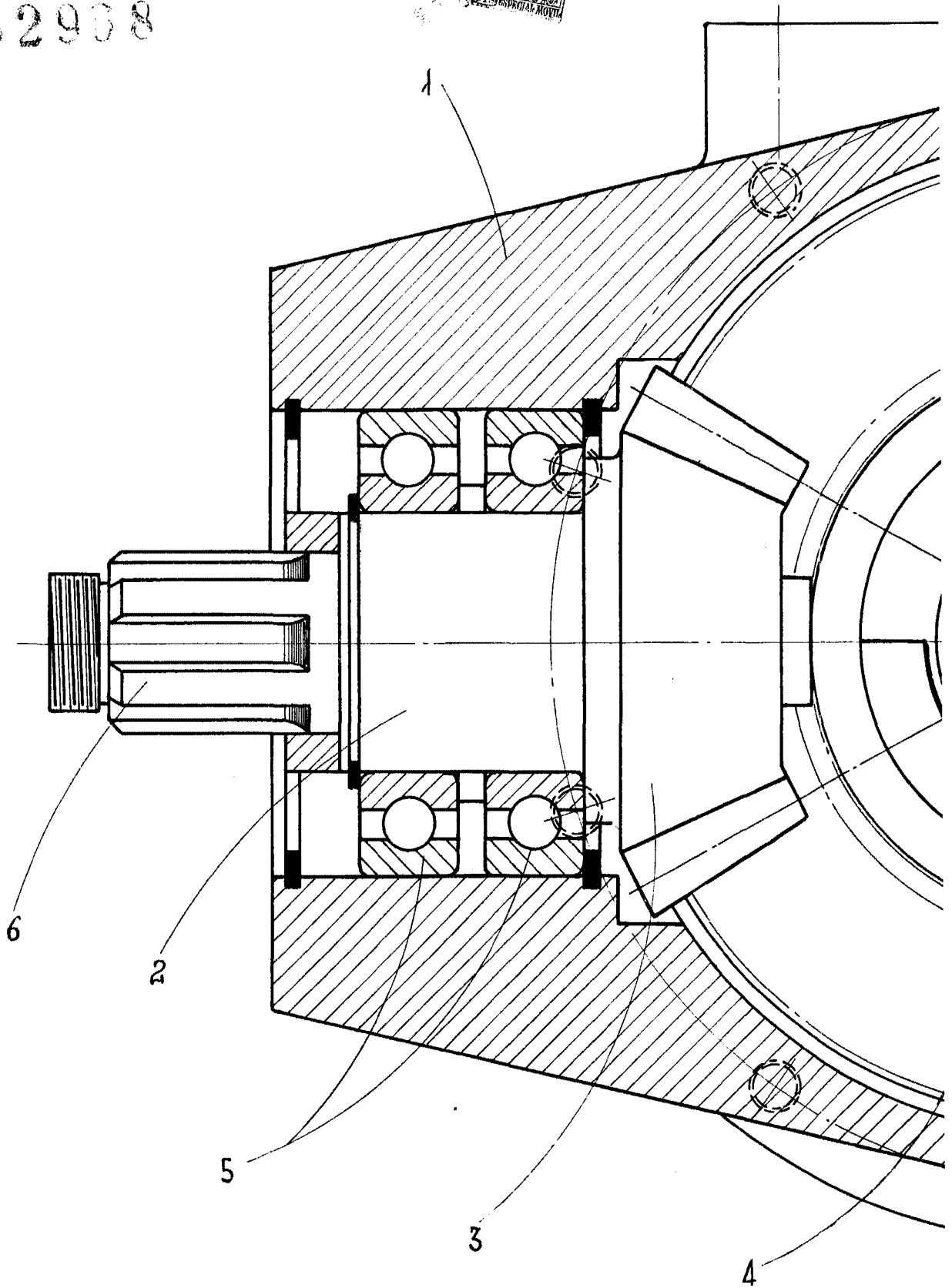
252968



*[Faint handwritten text, possibly a signature or date]*

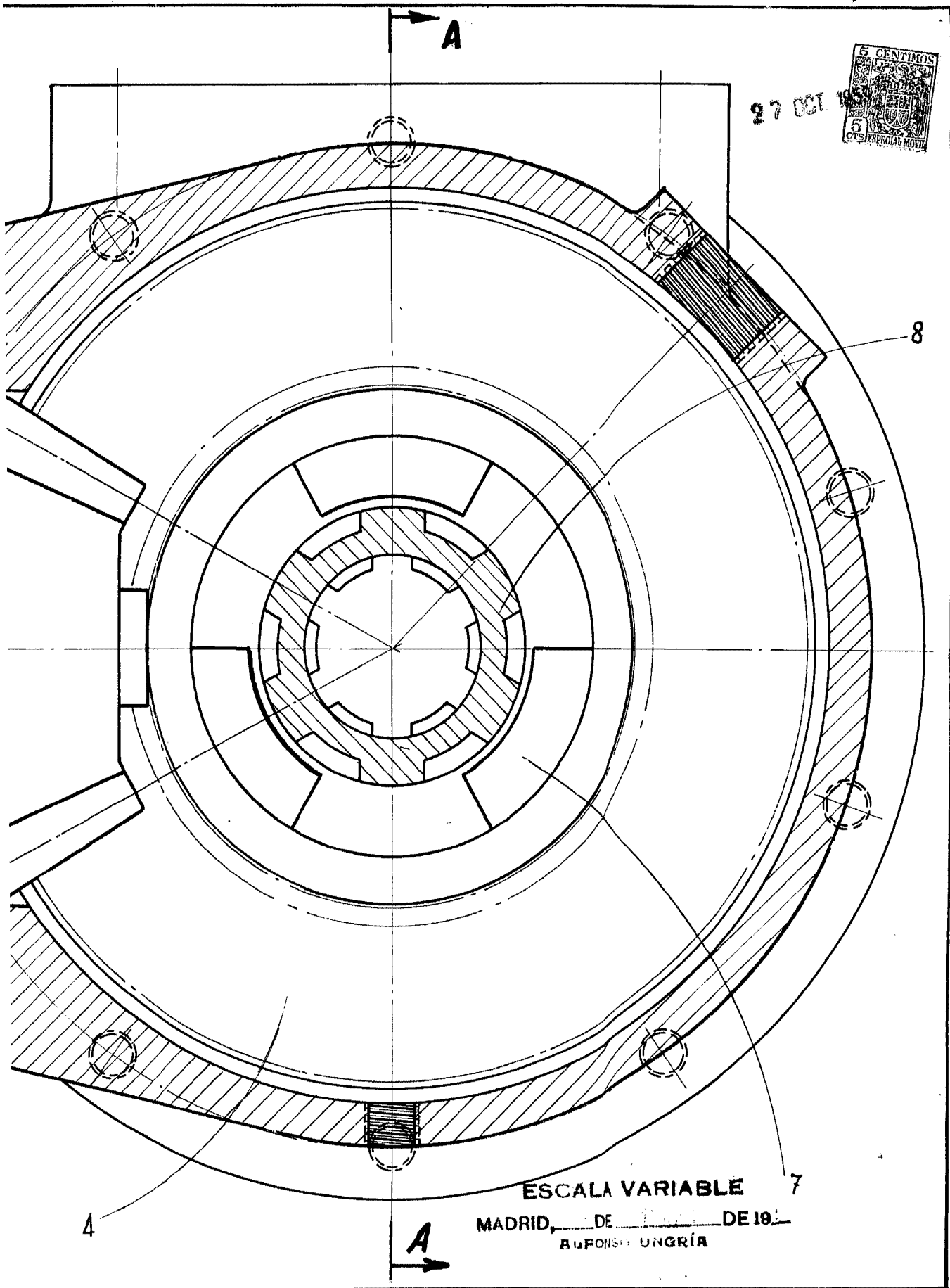
D: LUISA TOMÁS CEBRIÁN

252938



252988

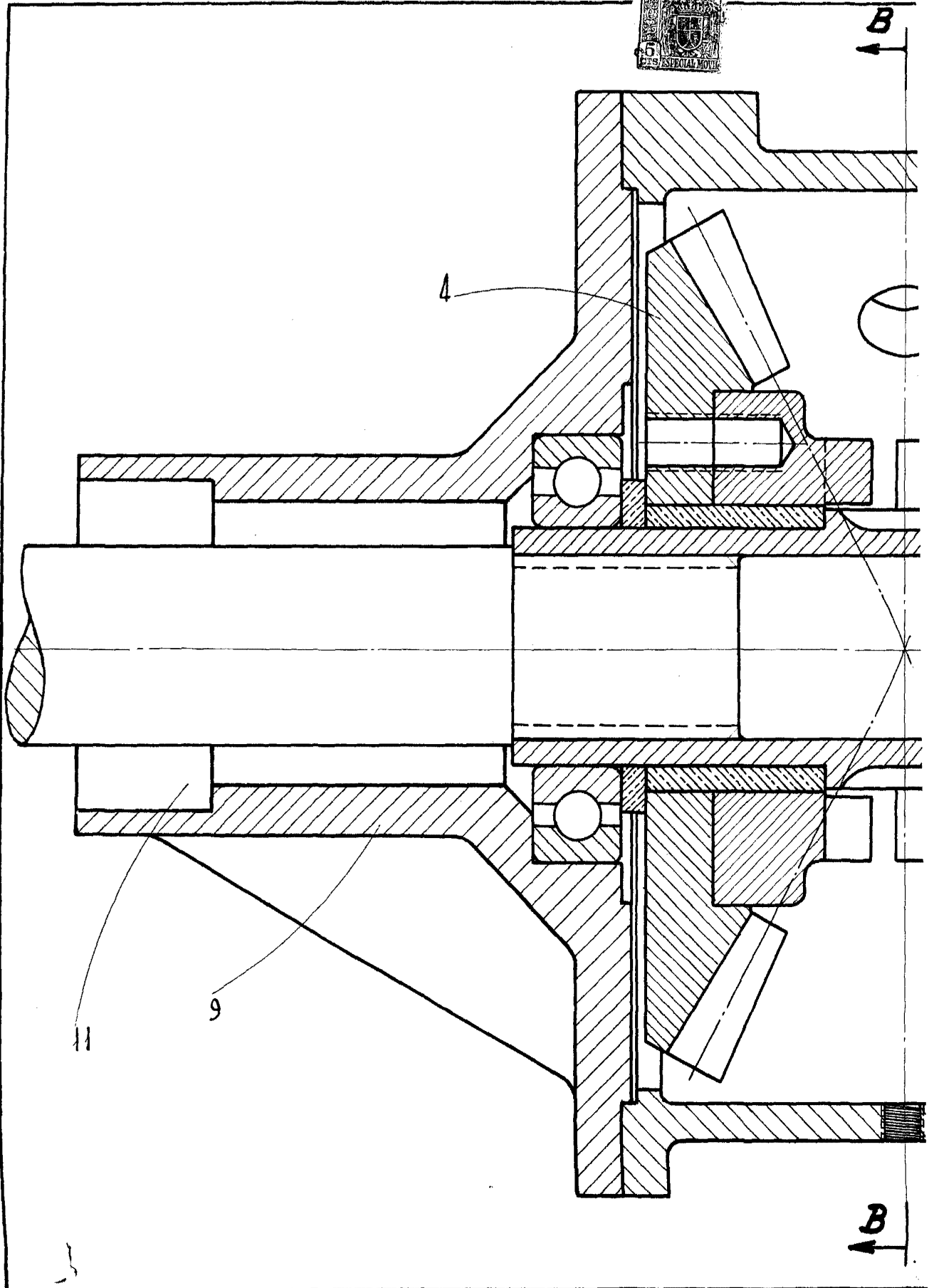
SON DOS HOJAS (HOJA 1ª)



27 OCT 1911  
5 CENTIMOS  
5 CTS ESPECIAL MONTA

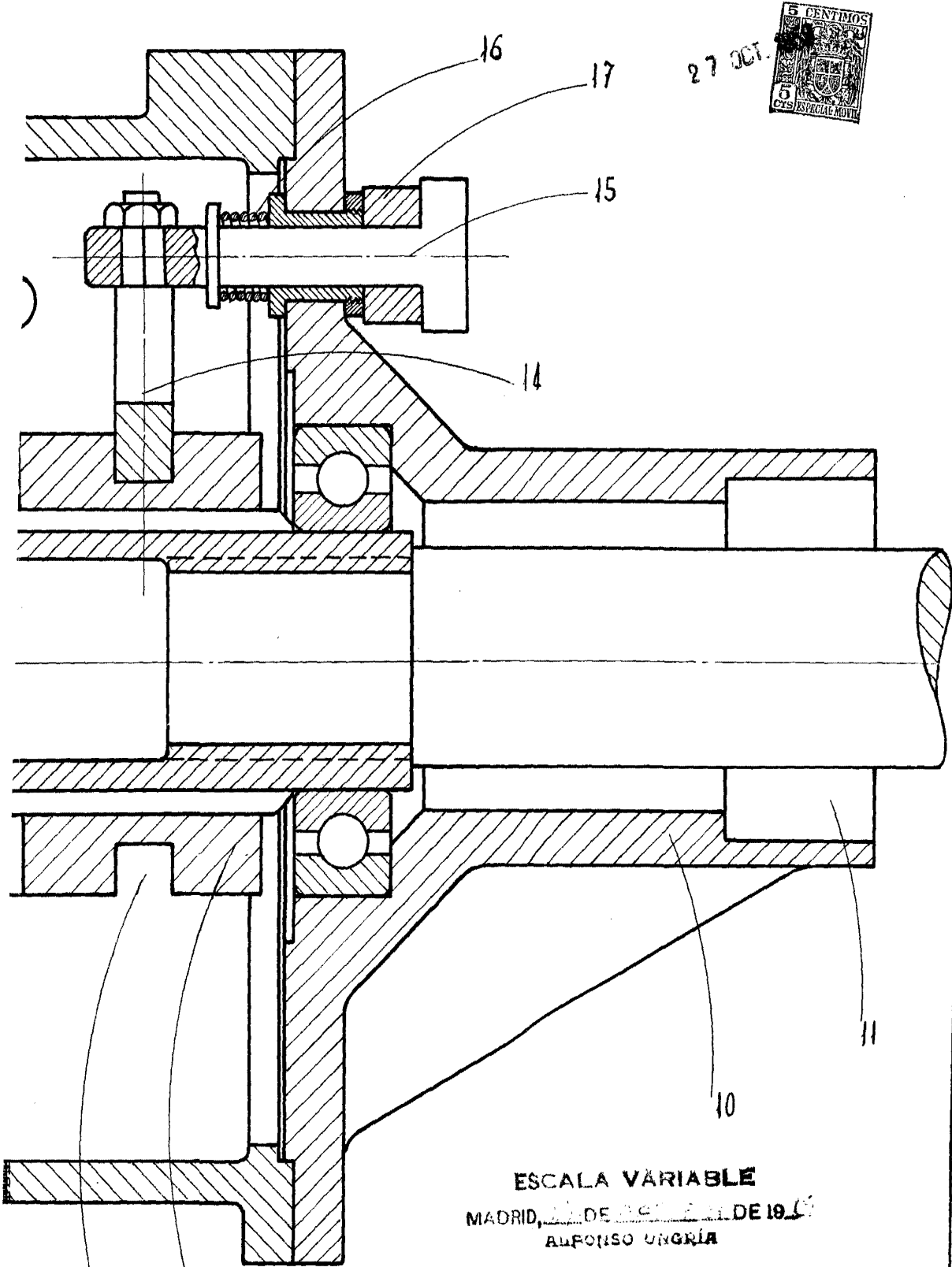
ESCALA VARIABLE 7  
MADRID, DE 1911 DE 1911  
ALFONSO UNGRÍA

D<sup>ca</sup> LUISA TOMÁS CEBRIÁN



252968

SON DOS HOJAS (HOJA 2ª)



27 OCT. 5 CENTIMOS  
5 CENTIMOS ESPECIAL MOVIE

ESCALA VARIABLE  
MADRID, 22 DE SEPTIEMBRE DE 1917  
ALFONSO UNGRIA