

252926

11 NOV. 1955



11 NOV

252926

*[Faint, illegible text, likely bleed-through from the reverse side of the page]*

252926

11 NOV 1951



252926



117 N 8

252926



252926

17 NO



252926

17 NOV



[Faint, illegible text covering the majority of the page, likely bleed-through from the reverse side.]

252926

11 N



252996

11







252926

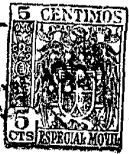


11 NOV

*[Faint, illegible handwritten text, likely bleed-through from the reverse side of the page]*

11 NOV. 1959

*[Handwritten signature or initials]*



252926

FIG 1

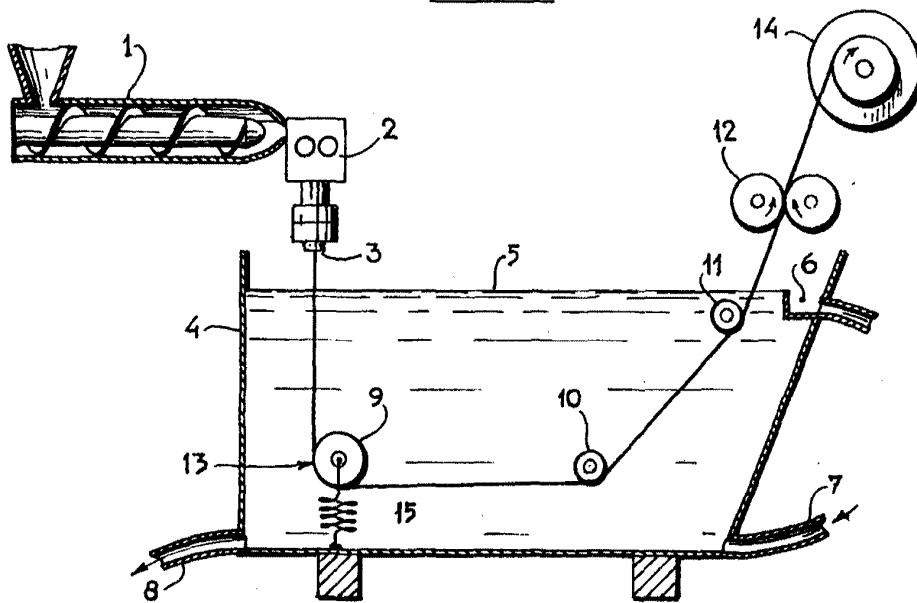
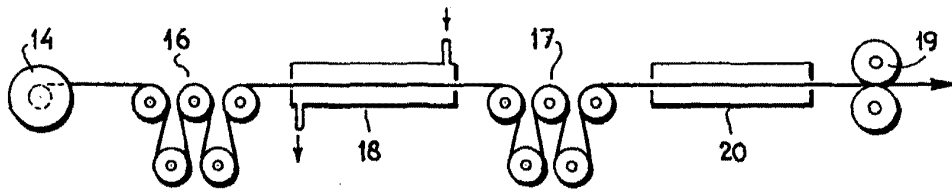


FIG. 2



*Handwritten signature or mark.*