

31 OCT 1954

Handwritten text at the top of the page, possibly a recipient address or sender information.

252408



Main body of the document containing several paragraphs of text, which is mostly illegible due to fading and low resolution.

252408



31 00

[Faint, illegible text, likely bleed-through from the reverse side of the page]



252408

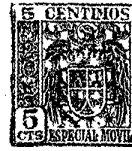
252408



[The body of the document contains several paragraphs of extremely faint, illegible text, likely a letter or official communication.]

252408





252408

252408



[The body of the document contains several paragraphs of extremely faint, illegible text, likely a letter or official communication.]

252408



[The body of the document contains several paragraphs of extremely faint, illegible text, likely bleed-through from the reverse side of the page.]

252408



252408



[The body of the document contains several paragraphs of extremely faint, illegible text, likely bleed-through from the reverse side of the page.]



252408

El Sr. D. [Name] [Address] [City] [Province] [Country]
[Faded text lines]

[Faded text lines, likely the main body of a letter or document]

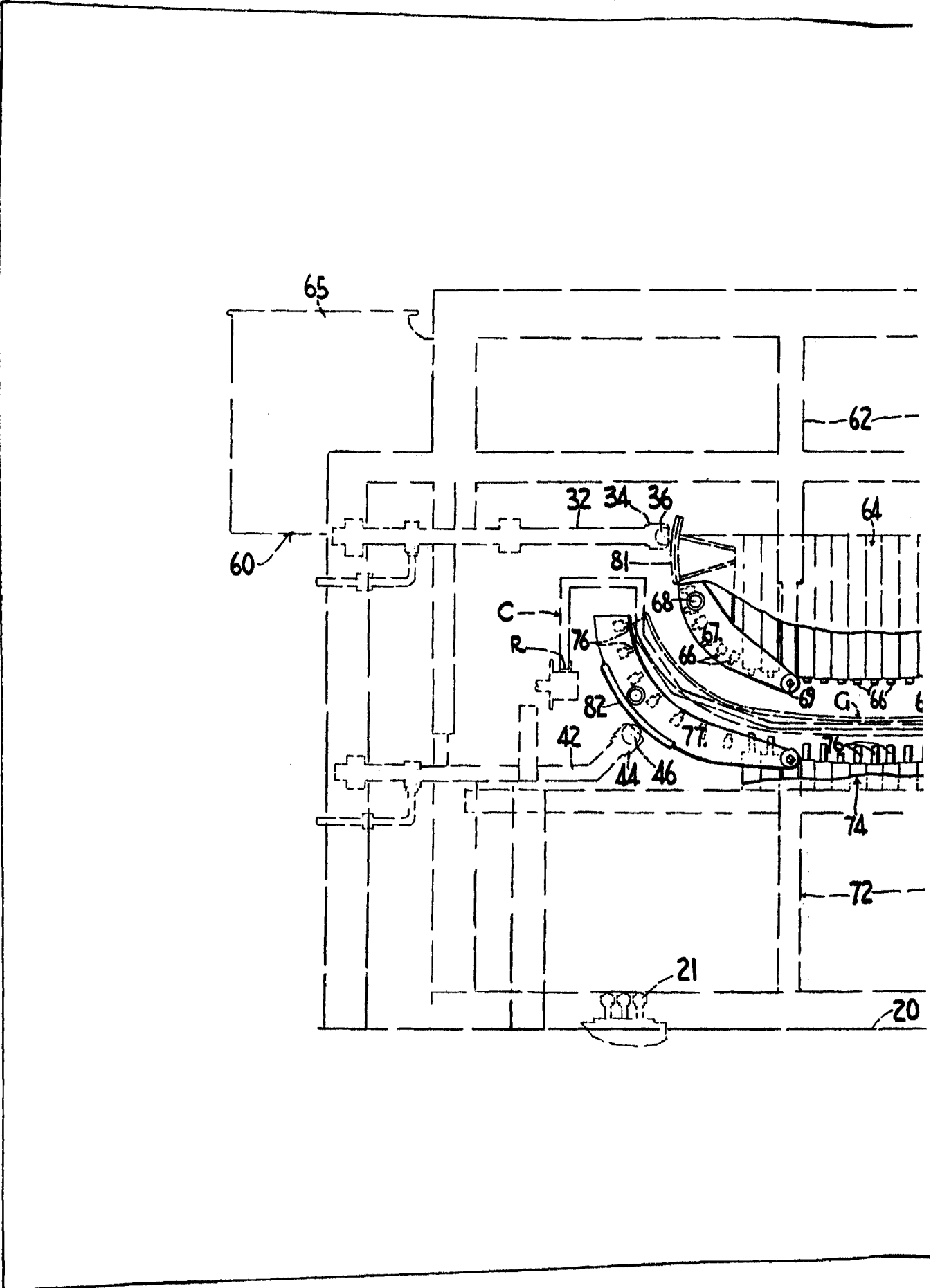
- NOTA -

[Faded text lines at the bottom of the page]

252408



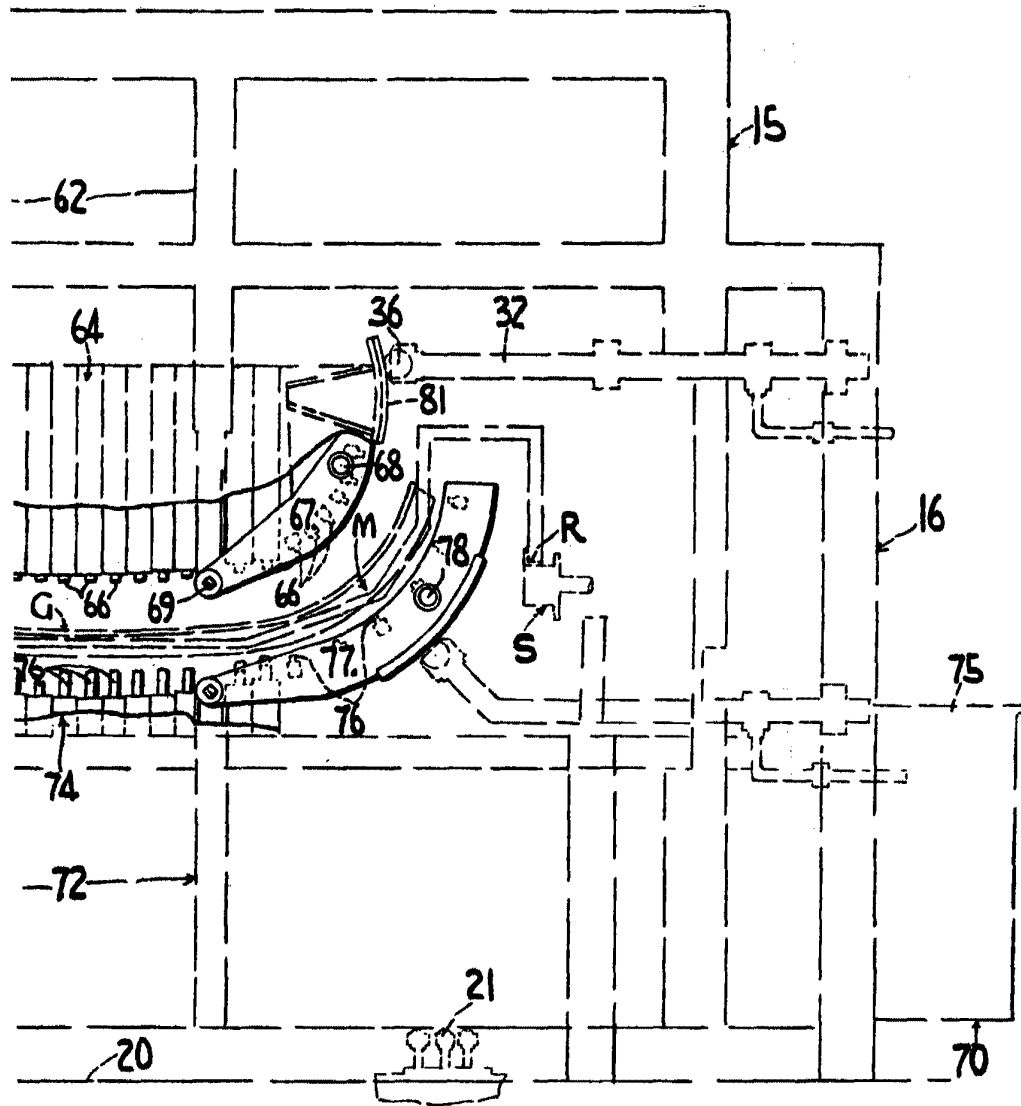
Alberio de E...
Por P...



SP. 11



252408



[Handwritten signature]